

Operation

Swimankle is locked when the HANDLE (6) is in the 6 o'clock position. To unlock, rotate HANDLE forward and up. Move foot to maximum plantar-flexed position for swimming then rotate HANDLE back to locked position. **Ankle must be fully plantar-flexed or in correct walk position in order to lock.**

Converting ankle to left or right operation

For BK's, the **Swimankle** handle is most easily operated when handle is on the medial side of ankle. For AK's, it may be necessary to try both medial and lateral positions and let patient decide. Use a 3mm Allen wrench to remove SCREWS (3). Move HANDLE and END CAP (4) to opposite sides of ankle and replace SCREWS.

Servicing

Tools required:

3mm, 3/32" and 5/32" Allen wrenches, Teflon or silicon grease

1. Disassembly

Remove ankle from foot. Unlock ankle. Insert 5/32" Allen wrench into foot bolt hole and loosen PIVOT PIN SET SCREW (10). Remove PIVOT PIN (7) and separate UPPER (1) and LOWER (2) ankle halves.

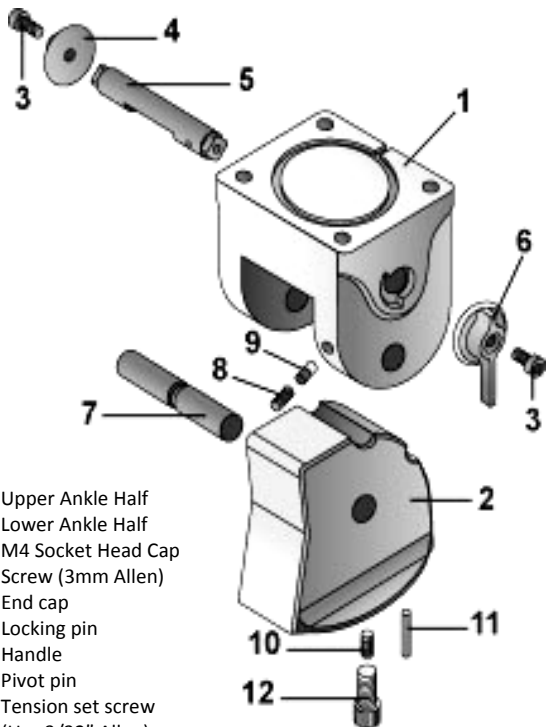
If it is necessary to remove and clean LOCKING PIN (5), use a 3/32" Allen wrench to loosen TENSION SET SCREW (8). Loosen 5 or 6 full turns. Only remove HANDLE or END CAP that is on the same side of ankle as the TENSION SET SCREW. Remove locking pin.

2. Cleaning Wipe all parts thoroughly with a clean cloth. Soap and water or a mild solvent are OK.

*If parts are scored from sand, use a *fine* grit sandpaper or emery cloth to smooth scratches

3. Reassembly

- Apply a **thin** coat of Teflon or silicon grease to vertical sides of **LOWER ANKLE HALF**, **PIVOT PIN** and **LOCKING PIN**. If **HANDLE** has been removed, apply grease to area where square hole of **HANDLE** and end of **LOCKING PIN** contact each other, otherwise do so after reassembly.
- Insert **LOCKING PIN** in unlocked position.
Do not force LOCKING PIN past TENSION PIN (9). If necessary, depress **TENSION PIN** with small tool and then finish inserting **LOCKING PIN**.
- Attach **HANDLE** or **END CAP**.
- Tighten **TENSION SET SCREW**. Tighten until **HANDLE** will not move, then loosen approximately 1/2 to one full turn. Handle should snap into locked and unlocked positions.
- Assemble ankle halves. Insert **PIVOT PIN** and align so that end marking on **PIVOT PIN** is vertical. Install and tighten **PIVOT PIN SET SCREW** **lightly (8-10 inch pounds)**. **Do not over tighten.**



1. Upper Ankle Half
2. Lower Ankle Half
3. M4 Socket Head Cap Screw (3mm Allen)
4. End cap
5. Locking pin
6. Handle
7. Pivot pin
8. Tension set screw (Use 3/32" Allen)
9. Tension pin (cannot be removed)
10. Pivot pin set screw (Use 5/32" Allen)
11. M10 SS Foot bolt
12. 5/32x1" SS Dowel pin

Use Blue **Loctite**® on this screw only. Tighten foot bolt according to foot manufacturers' specifications or industry standards. Use of **Loctite**® or lock washers is OK.